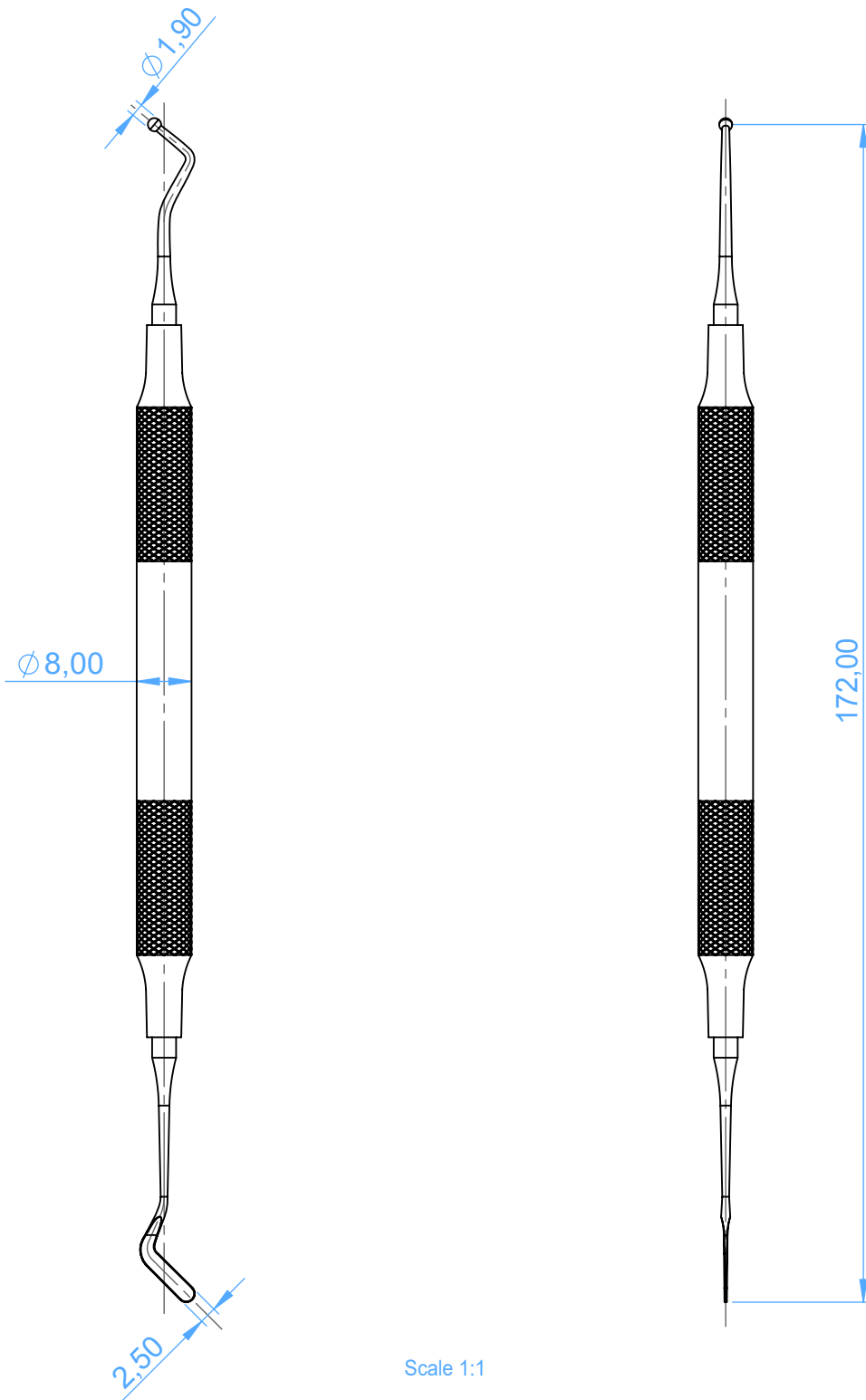


MV1208-2 Plastic filling instruments

2



Scale 1:1