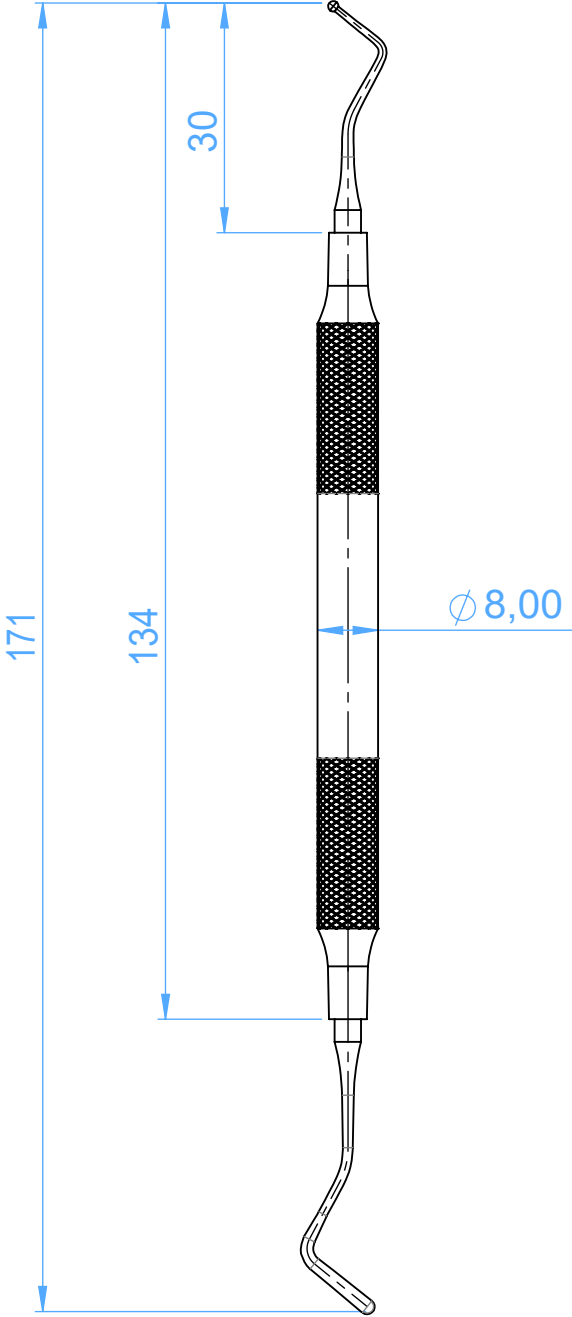


Plastic filling instruments
MV1208-1

1



Scale 1:1