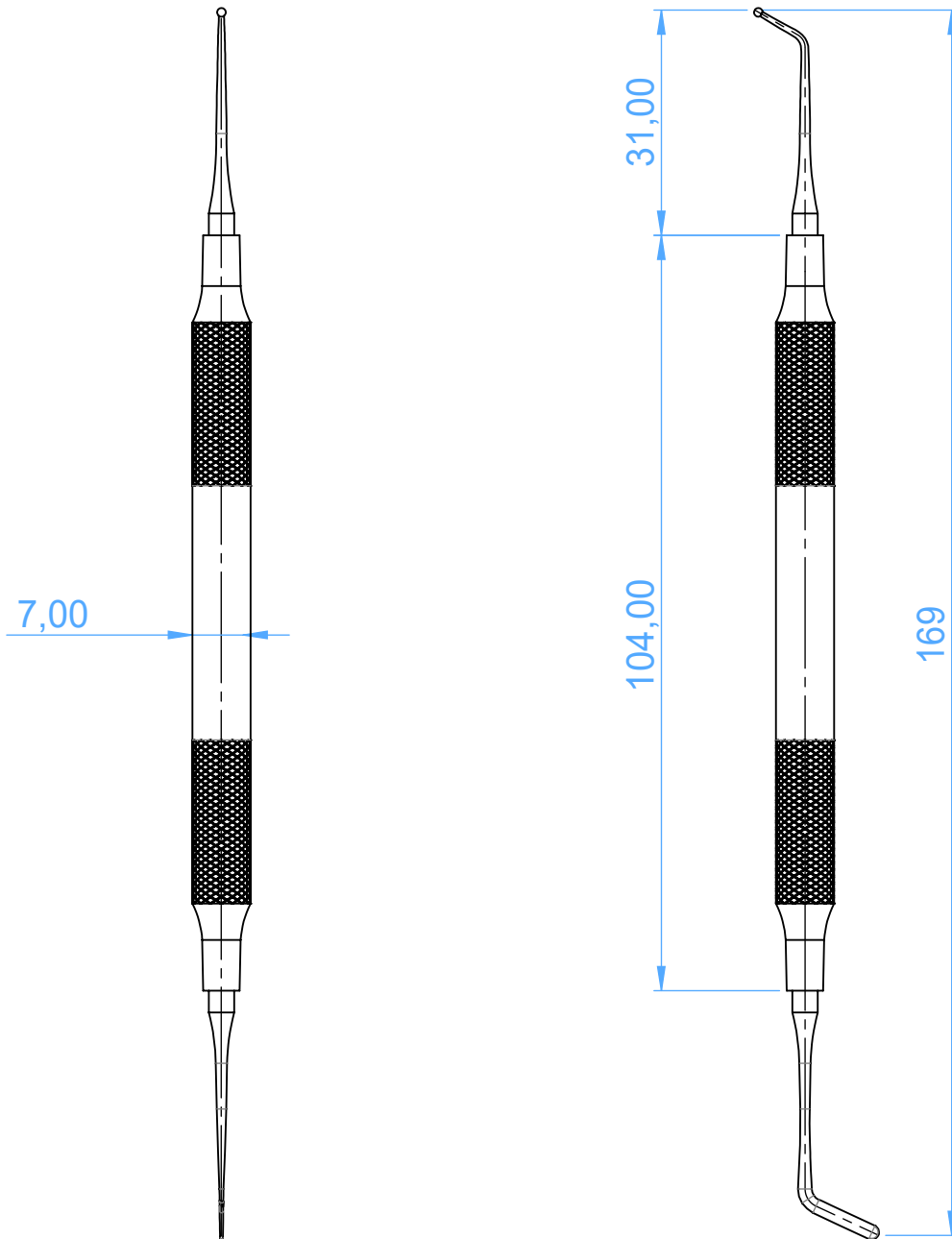


Plastic filling instruments
MV1207-1

1



SCALA 1:1