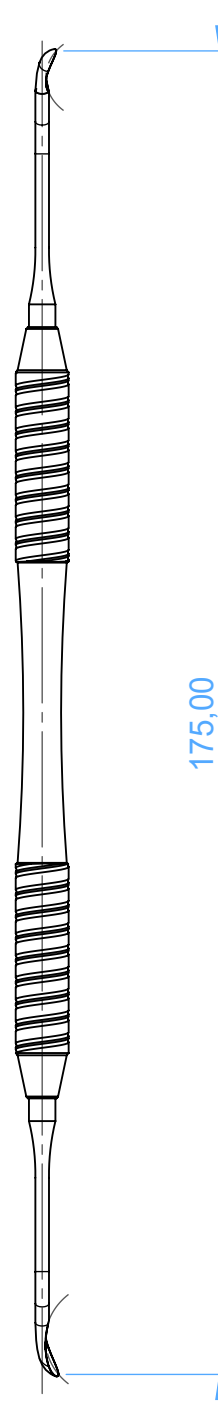
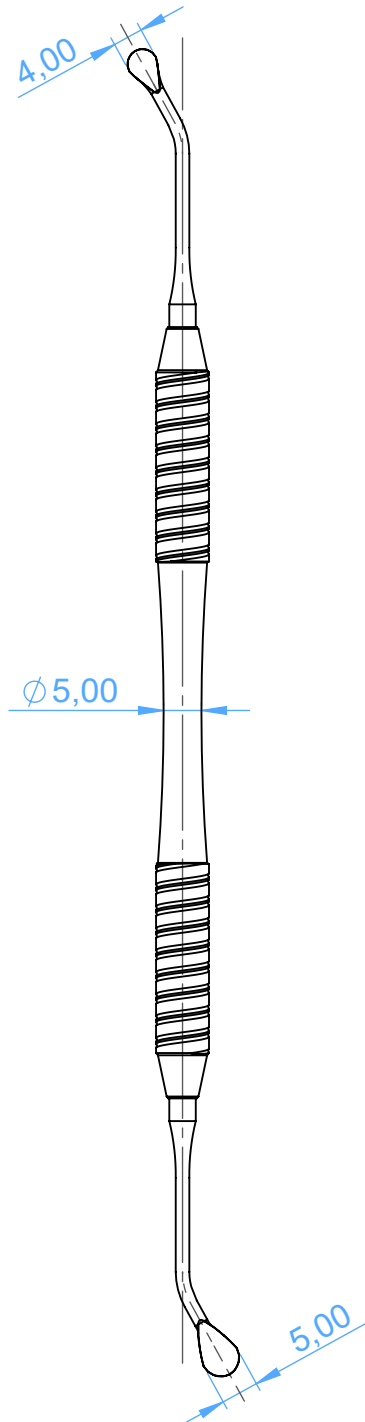


ML2017-1 - BONE CURETTES / Cucchiaini alveolari



SCALE 1:1