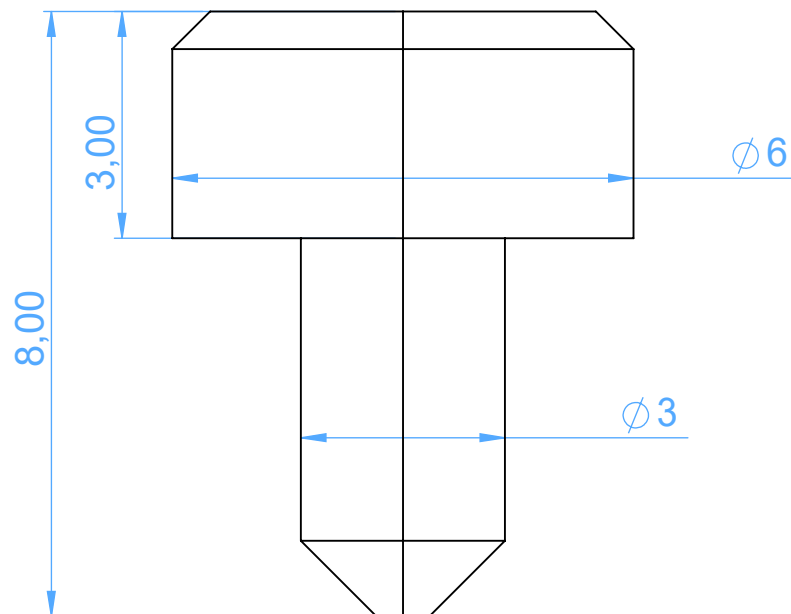


Utility pliers
8831-1P

replacement for 8831



Scale 1:1