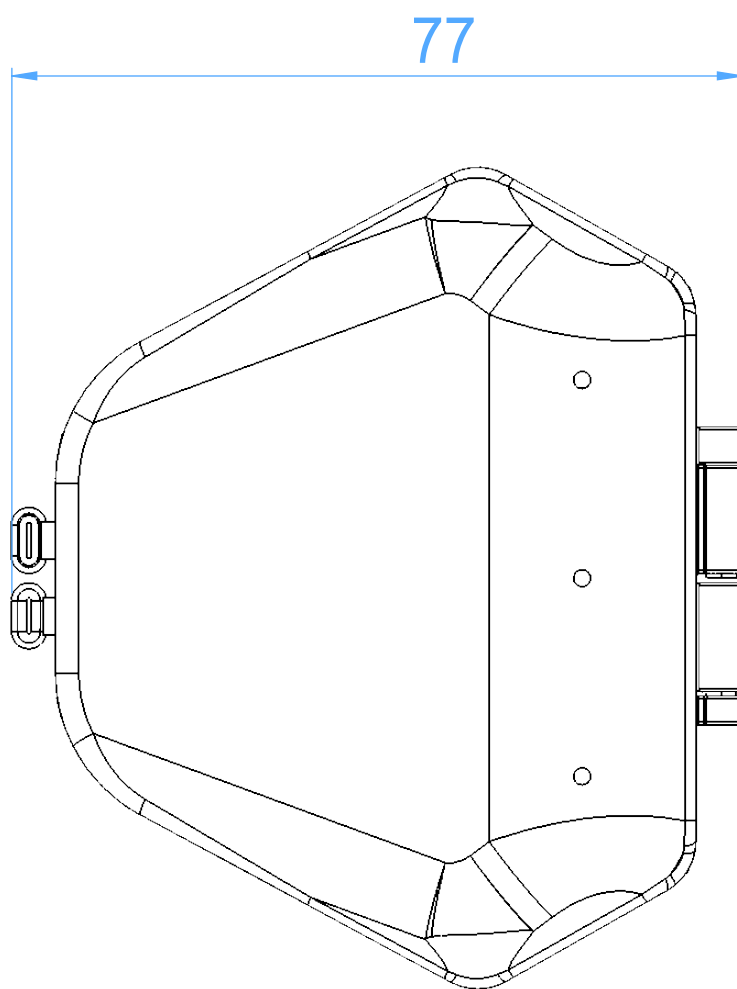
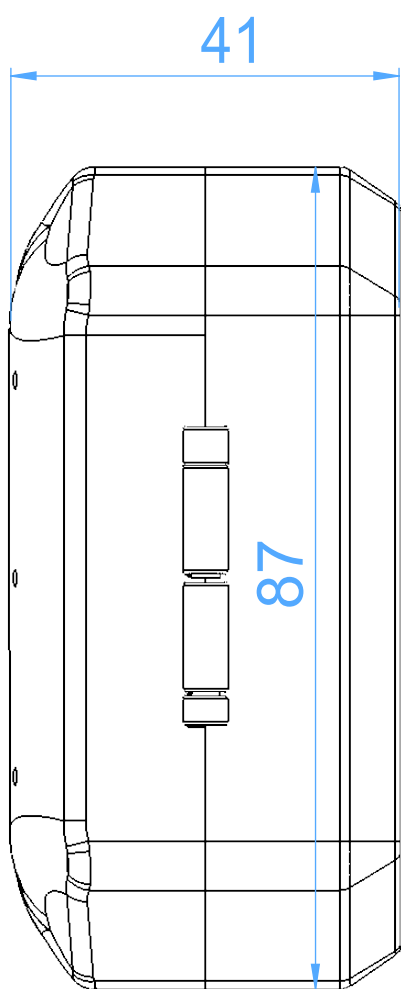


Ortho/prothesis boxes
6900E-V

Green



Scale 1:1