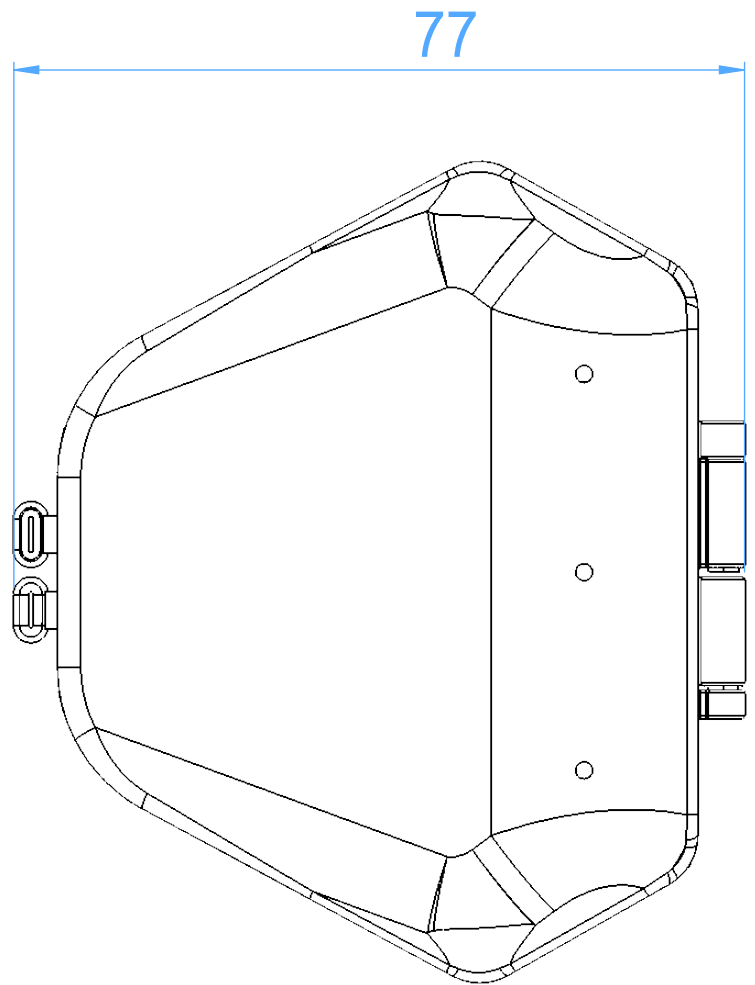
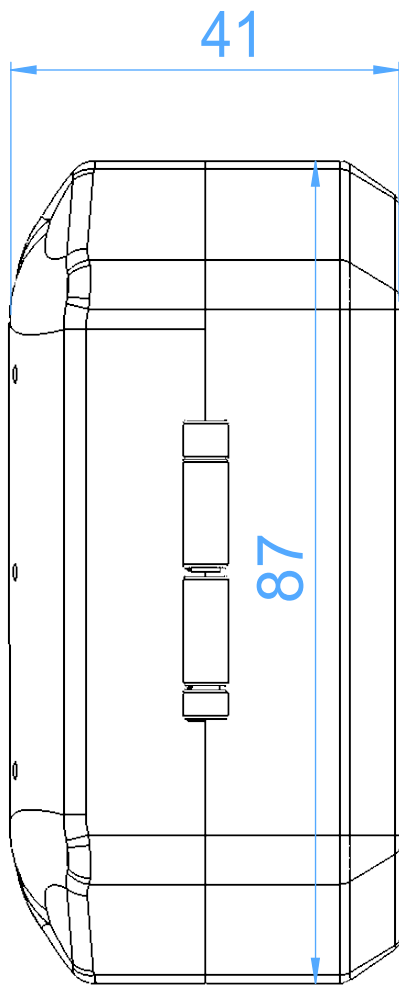


Ortho/prothesis boxes
6900E-R

Pink



Scale 1:1