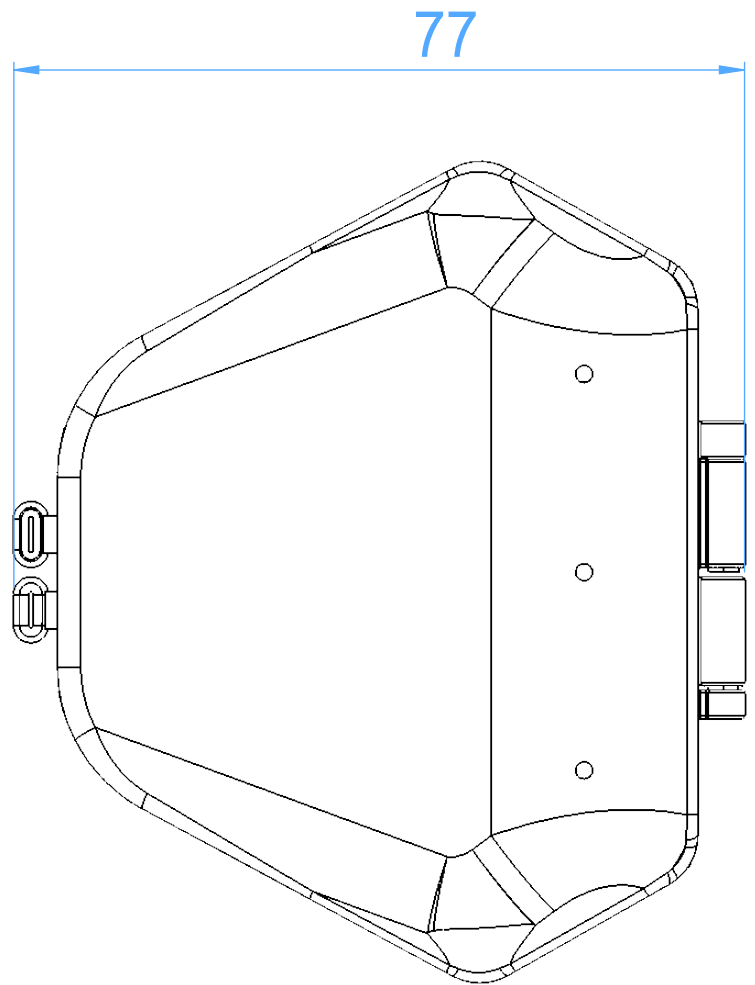
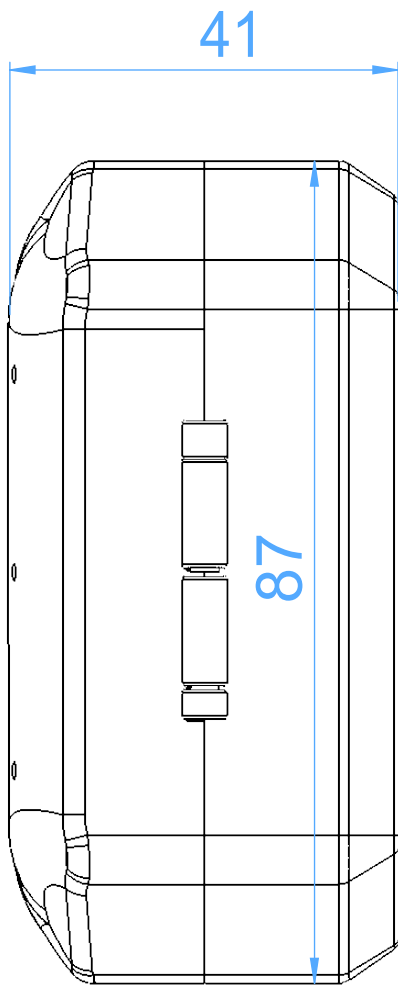


Ortho/prothesis boxes  
6900E-G

Yellow



Scale 1:1