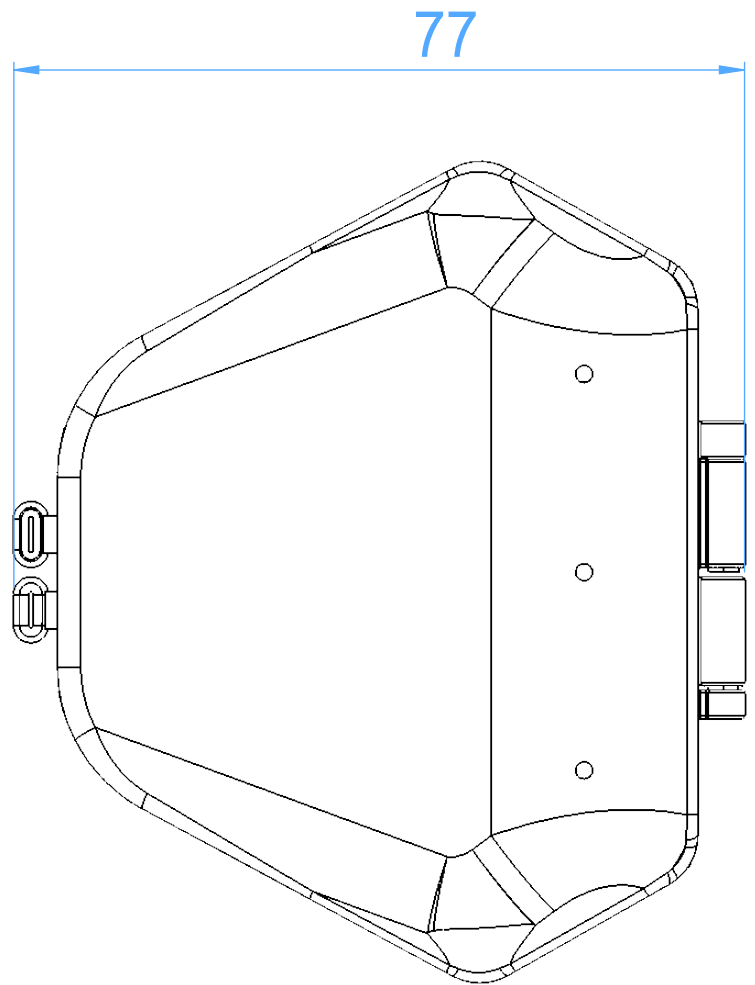
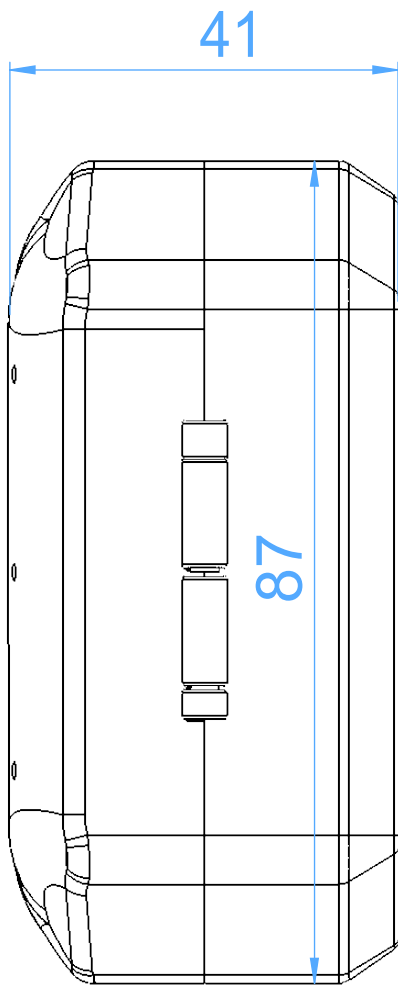


Ortho/prothesis boxes  
6900E-B

White



Scale 1:1