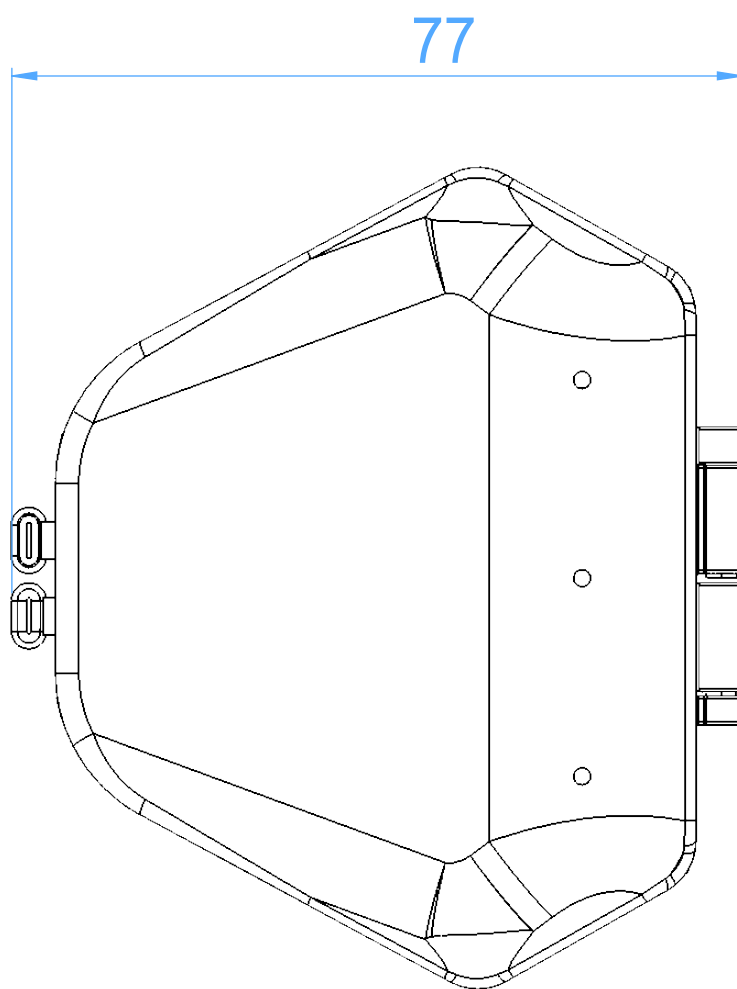
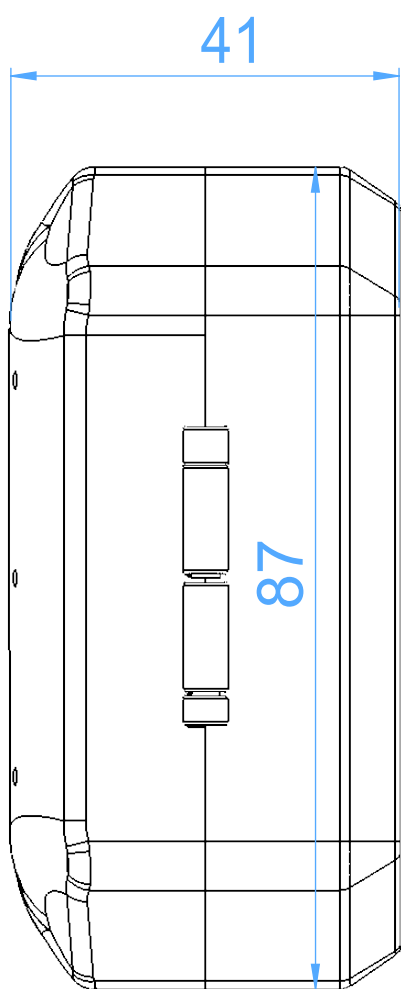


Ortho/prothesis boxes
6900E-A

Blue



Scale 1:1