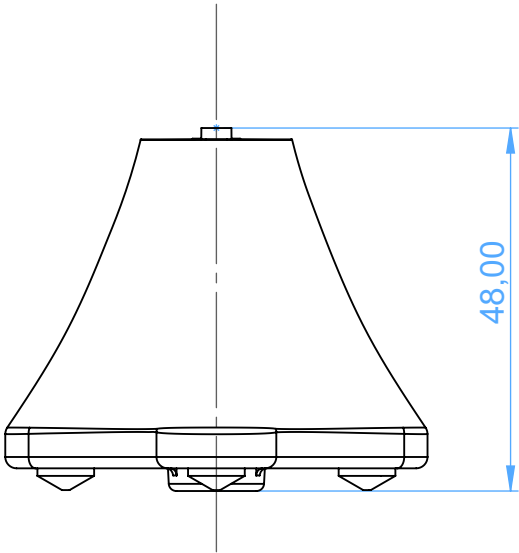
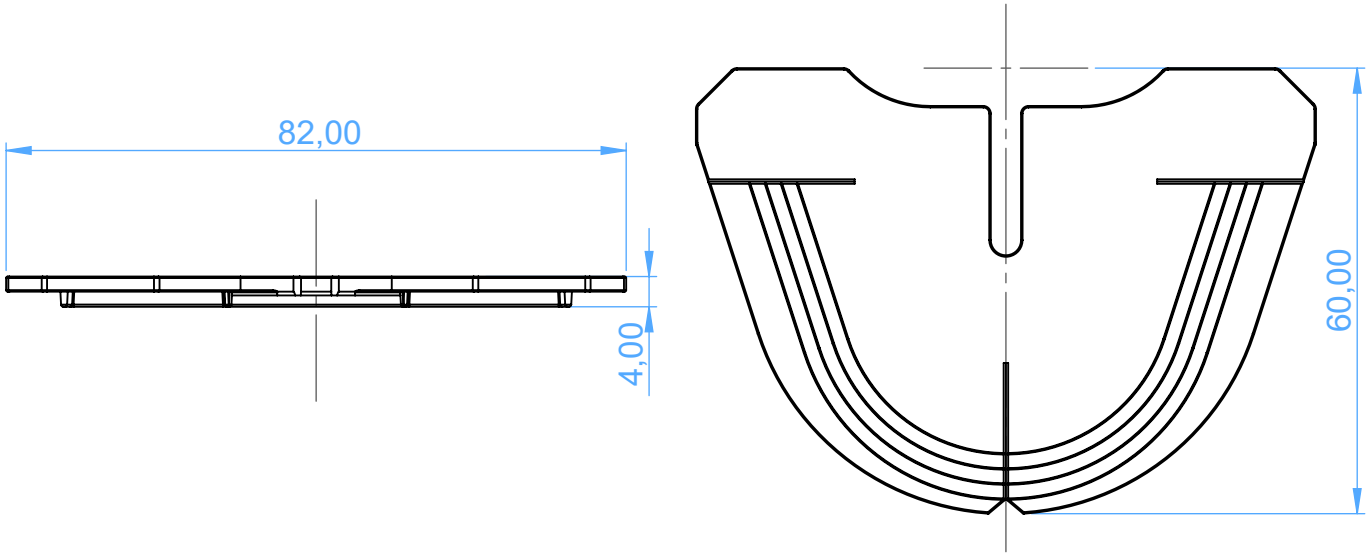
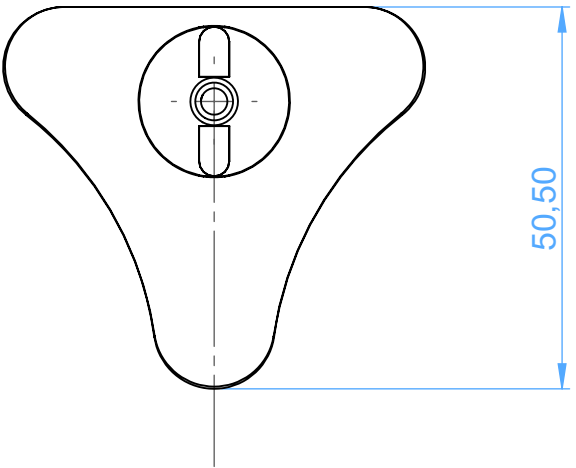


5054 OCCLUSAL TABLE COMPLETE



Scale 1:1



Scale 1:1