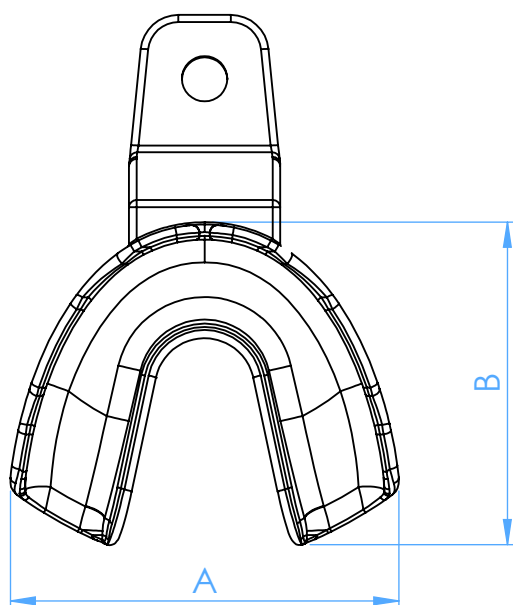
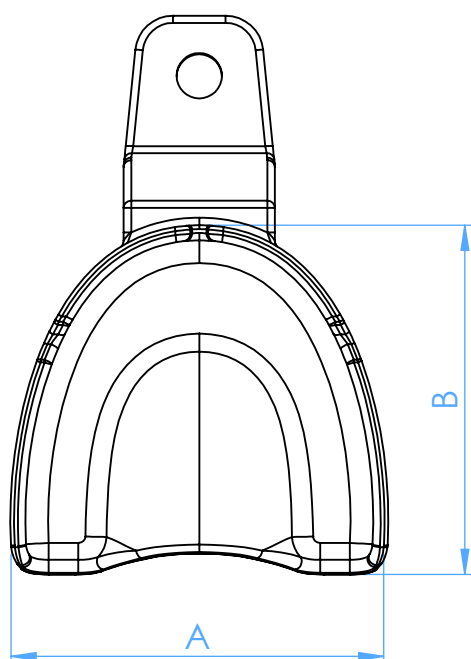


2850-8 - Portaimpronta ortodontici - Orthodontic impression trays



LOWER	A (mm)	B (mm)
L1	52	44
L2	58	49
L3	62	53
L4	66	56



UPPER	A (mm)	B (mm)
U1	50	46
U2	56	51
U3	59	55
U4	63	59

SCALE 1:1