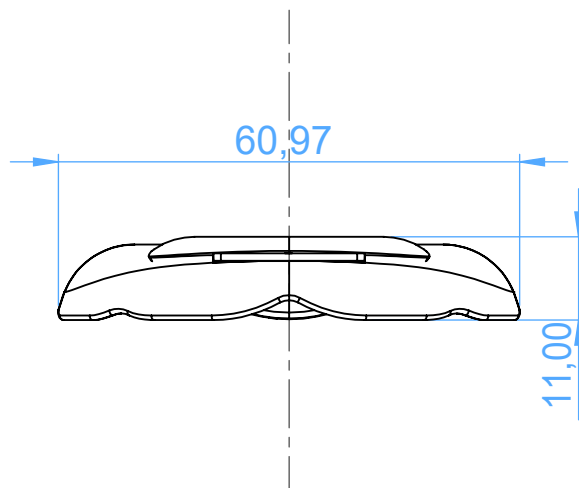
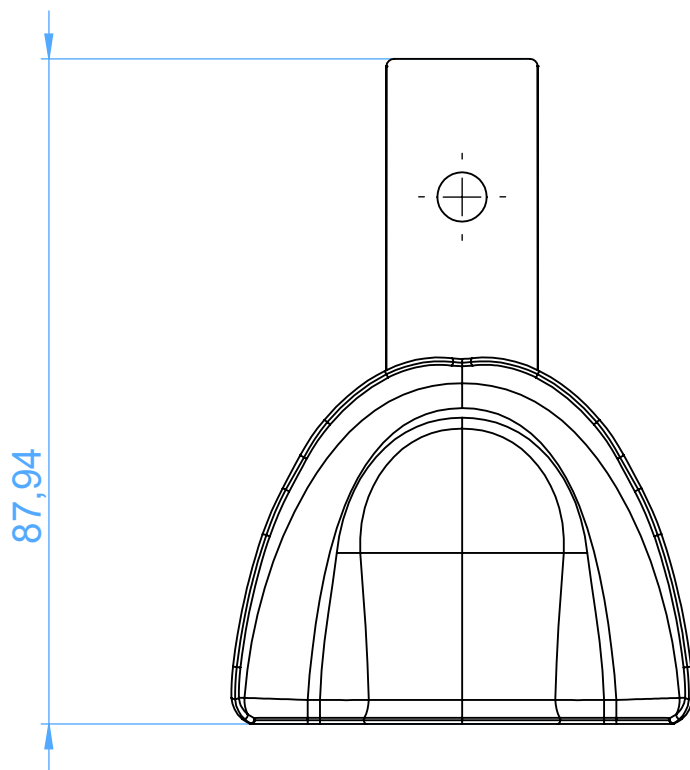


2813-U1 - Perforated stainless steel impression trays-
edentulous/Portaimpronta forati in acciaio inox - edentuli

UPPER



SCALE 1:1