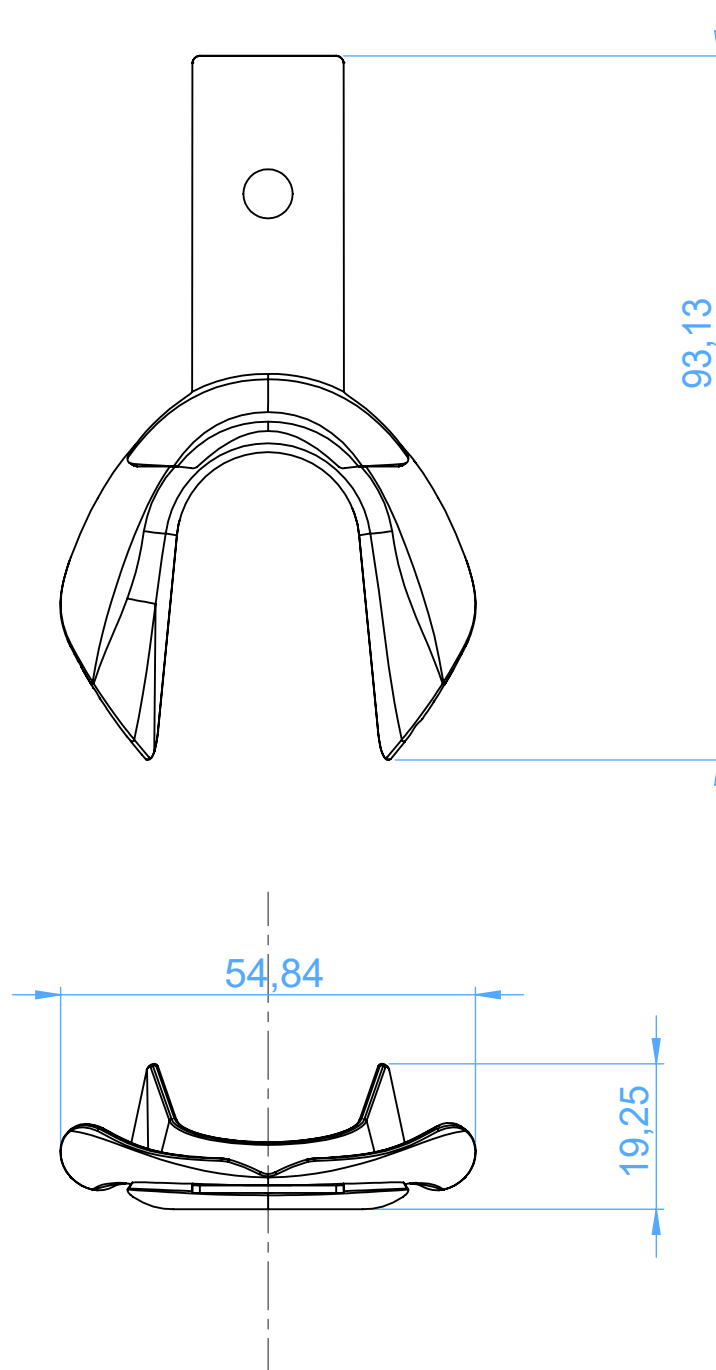


2813-L1 - Perforated stainless steel impression trays -  
edentulous/Portaimpronta forati in acciaio inox - edentuli

LOWER



SCALE 1:1