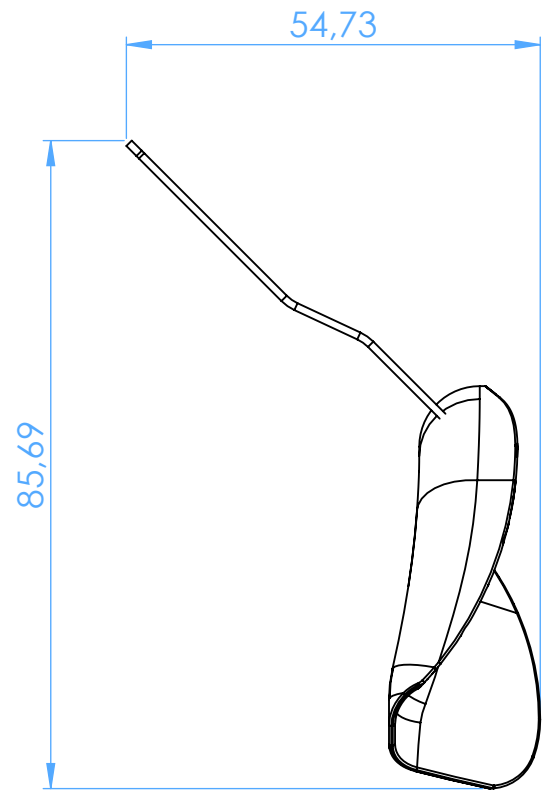
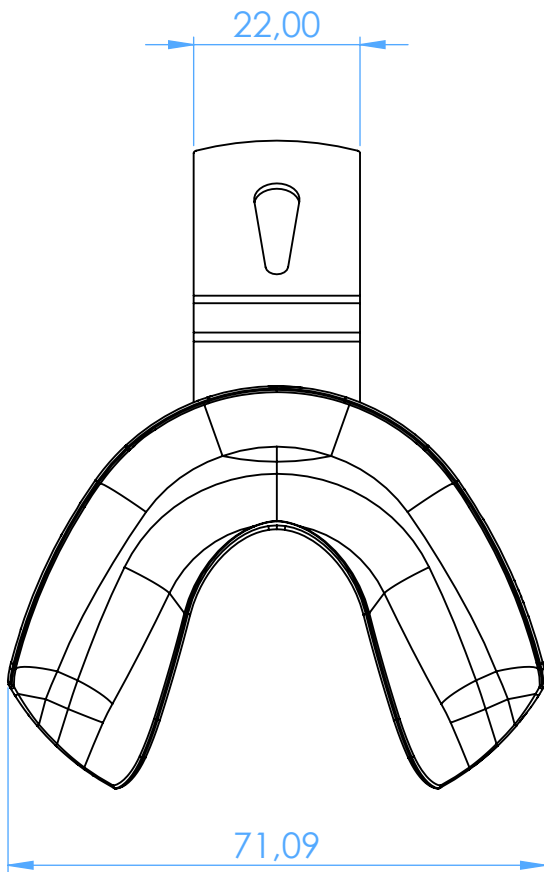


2811-UU2 -
Portaimpronta forati in acciaio inox - Ehrlicke / Perforated
stainless steel impression trays - Ehrlicke



SCALE 1:1