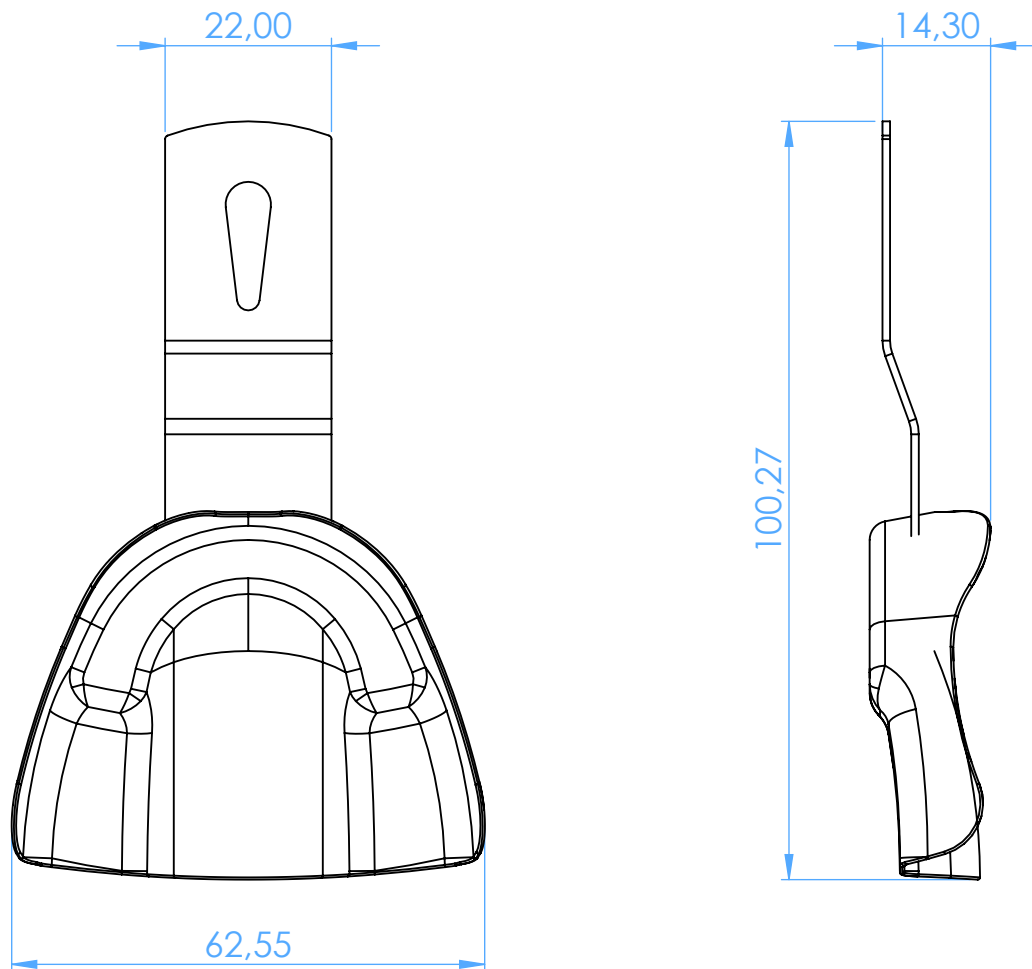


2811-OP1 -
Portaimpronta forati in acciaio inox - Ehrlicke / Perforated
stainless steel impression trays - Ehrlicke



SCALE 1:1