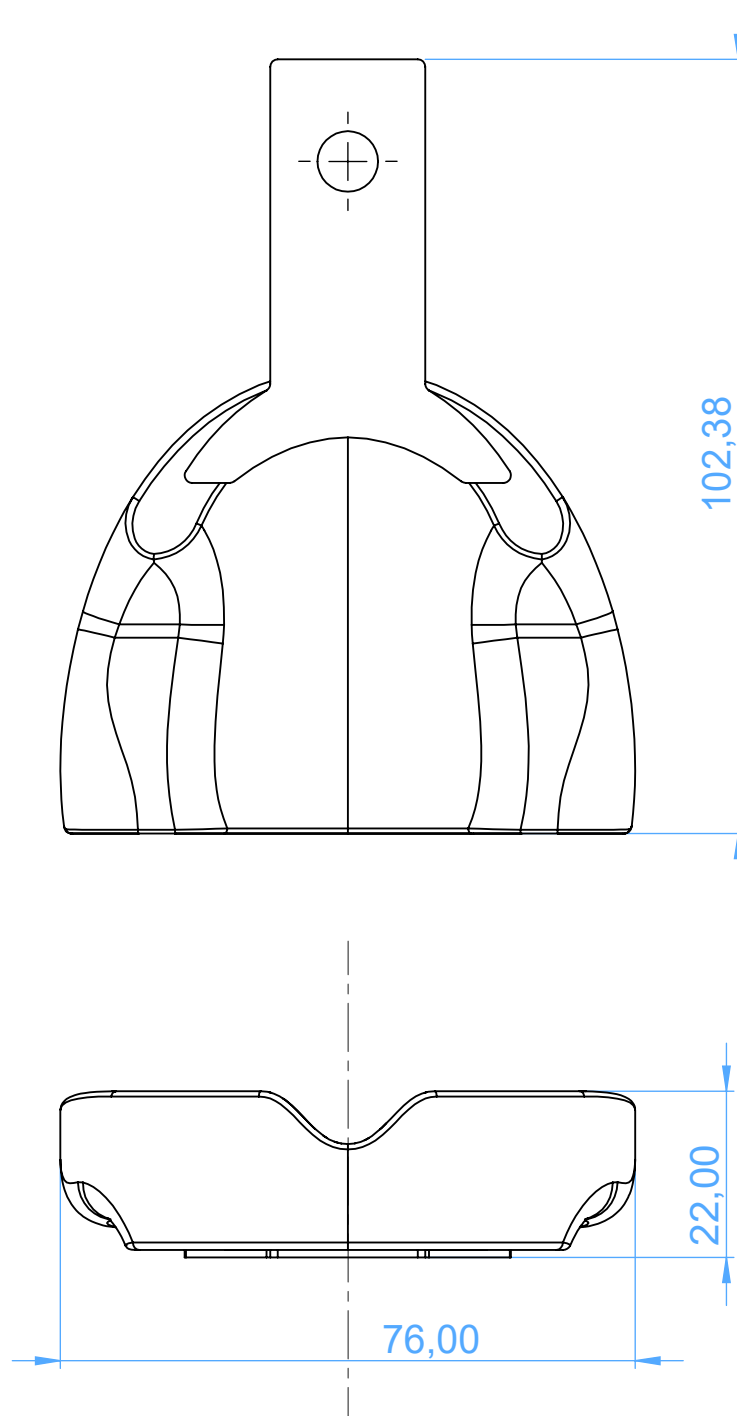


2810-U1 -
Non-perforated stainless-/Portaimpronta non forati-depressi
anteriamente
UPPER



SCALE 1:1