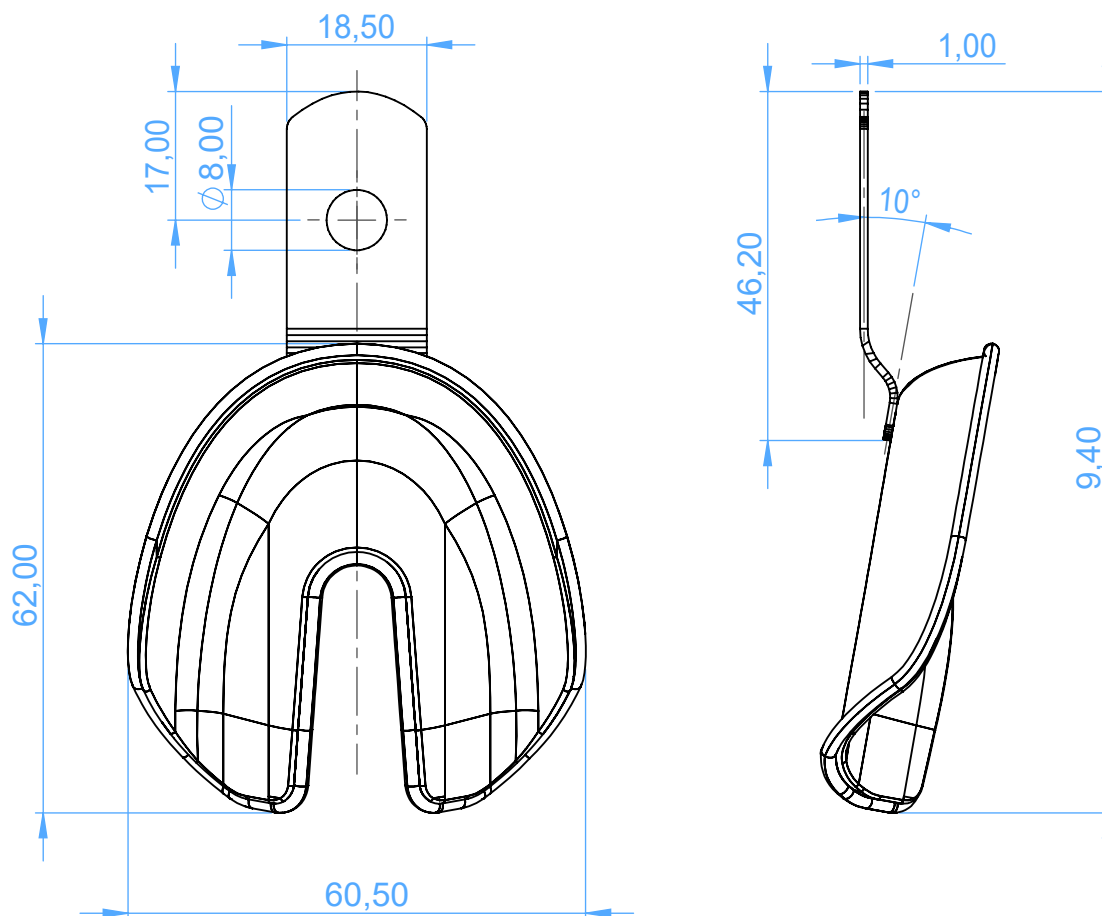


2808-L67 - Non-perforated stainless steel impression trays-edentulous
Porta Impronte non forati-edentuli

Lower
with retention rim



SCALE 1:1