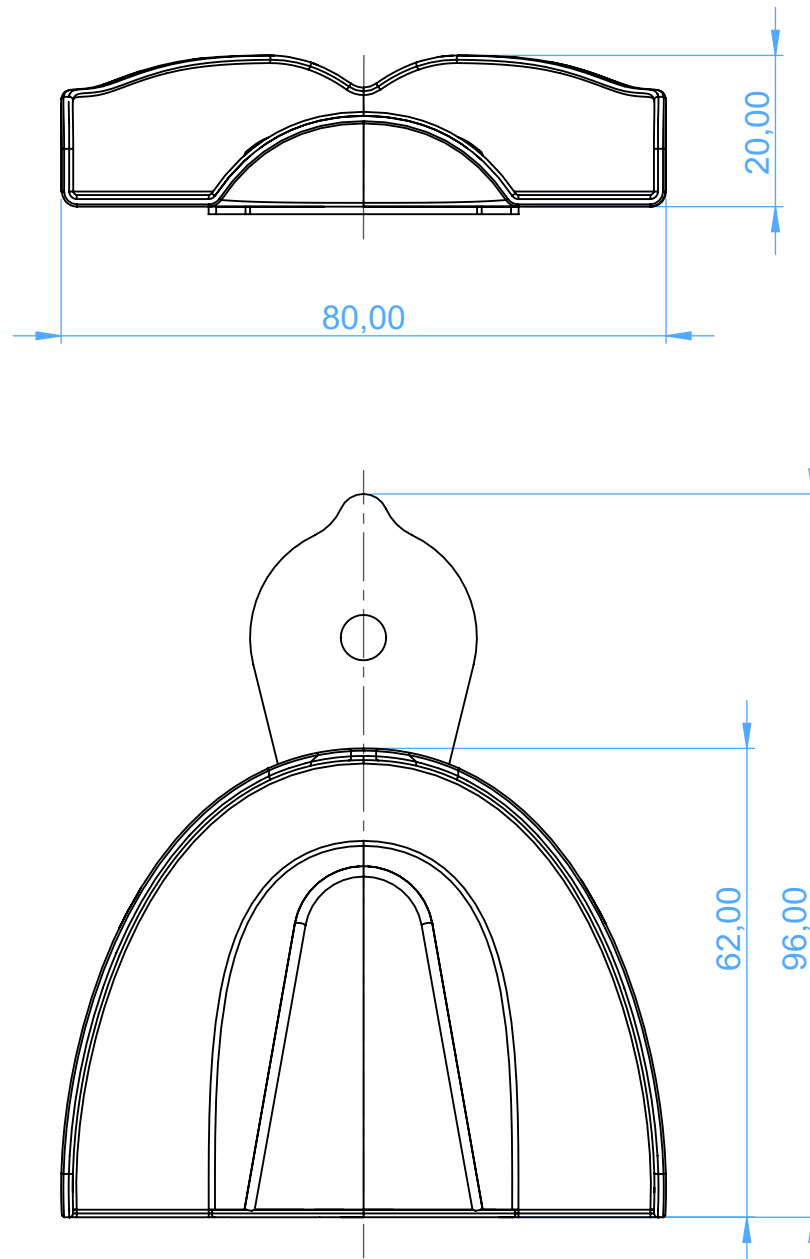


2803S-U1 -  
Non-perforated stainless steel impression trays/Portaimpronta non forati in acciaio inox

UPPER/Superiore



SCALE 1:1