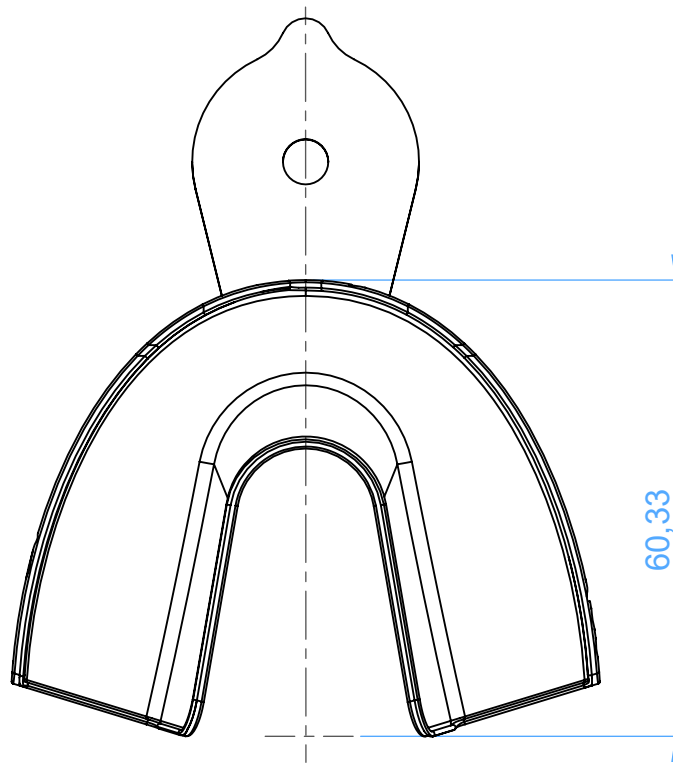
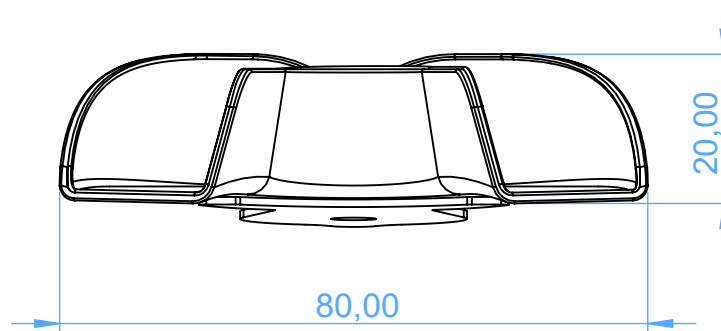


2803S-L1 -  
Non-perforated stainless steel impression trays/Portaimpronta non forati in acciaio inox

LOWER/Inferiore



SCALE 1:1