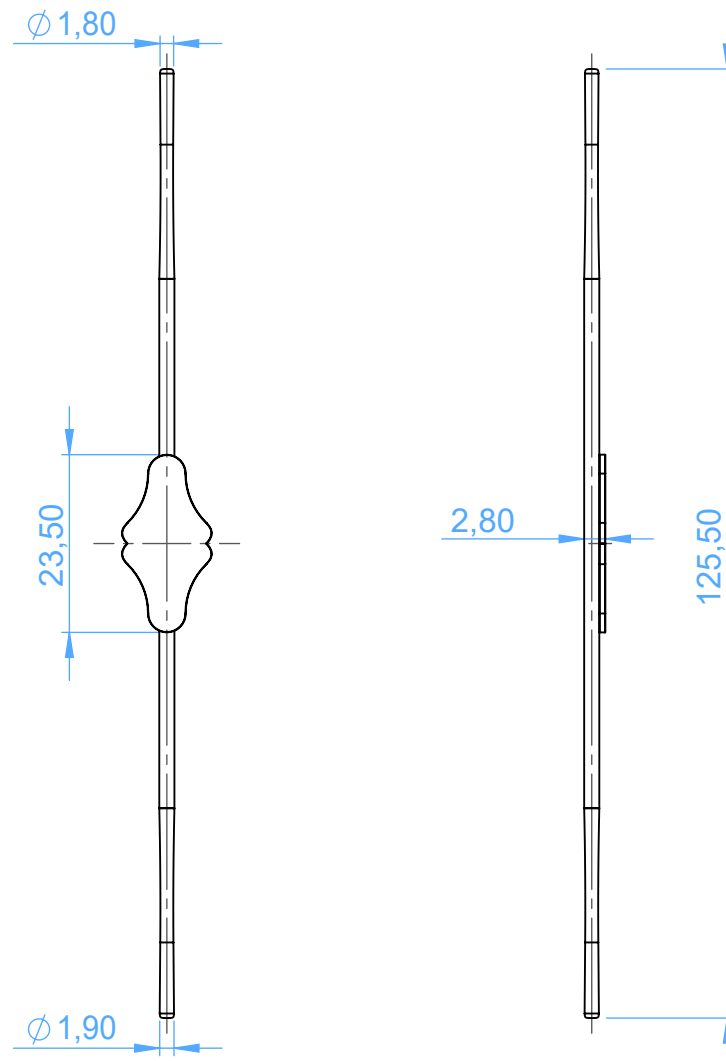


2650-08 - ANTRUM PROBES / Sonde seno mascellare

7/8 Bowman



SCALE 1:1