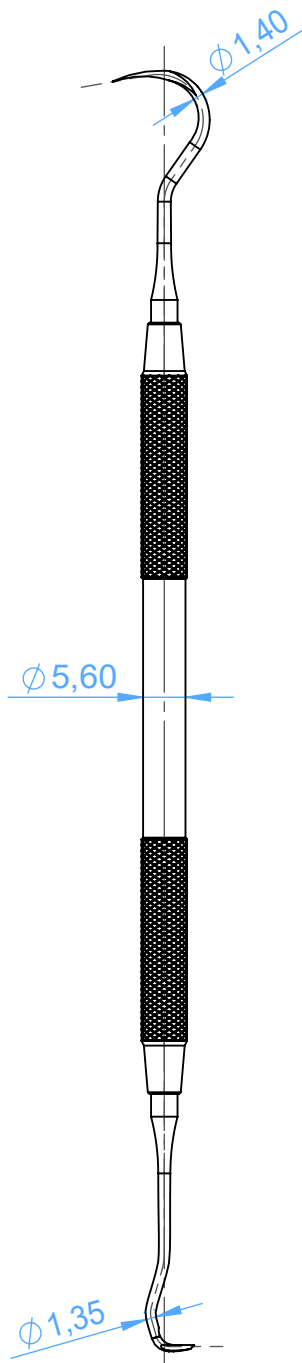


1902-1 - SCALERS / Scaler

U15/33
Towner Jacquette



SCALE 1:1

