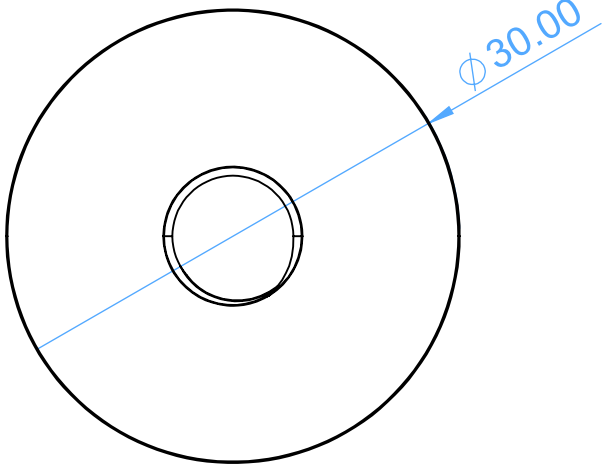
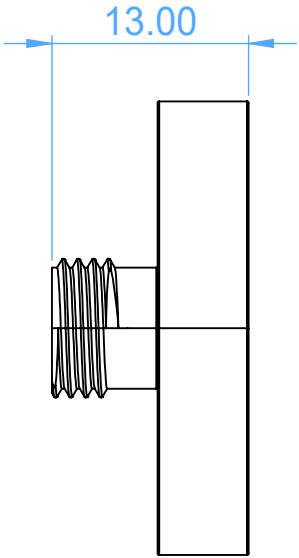


1881-R #2 Teflon inserts autoclavable max 120°



Scale 2:1