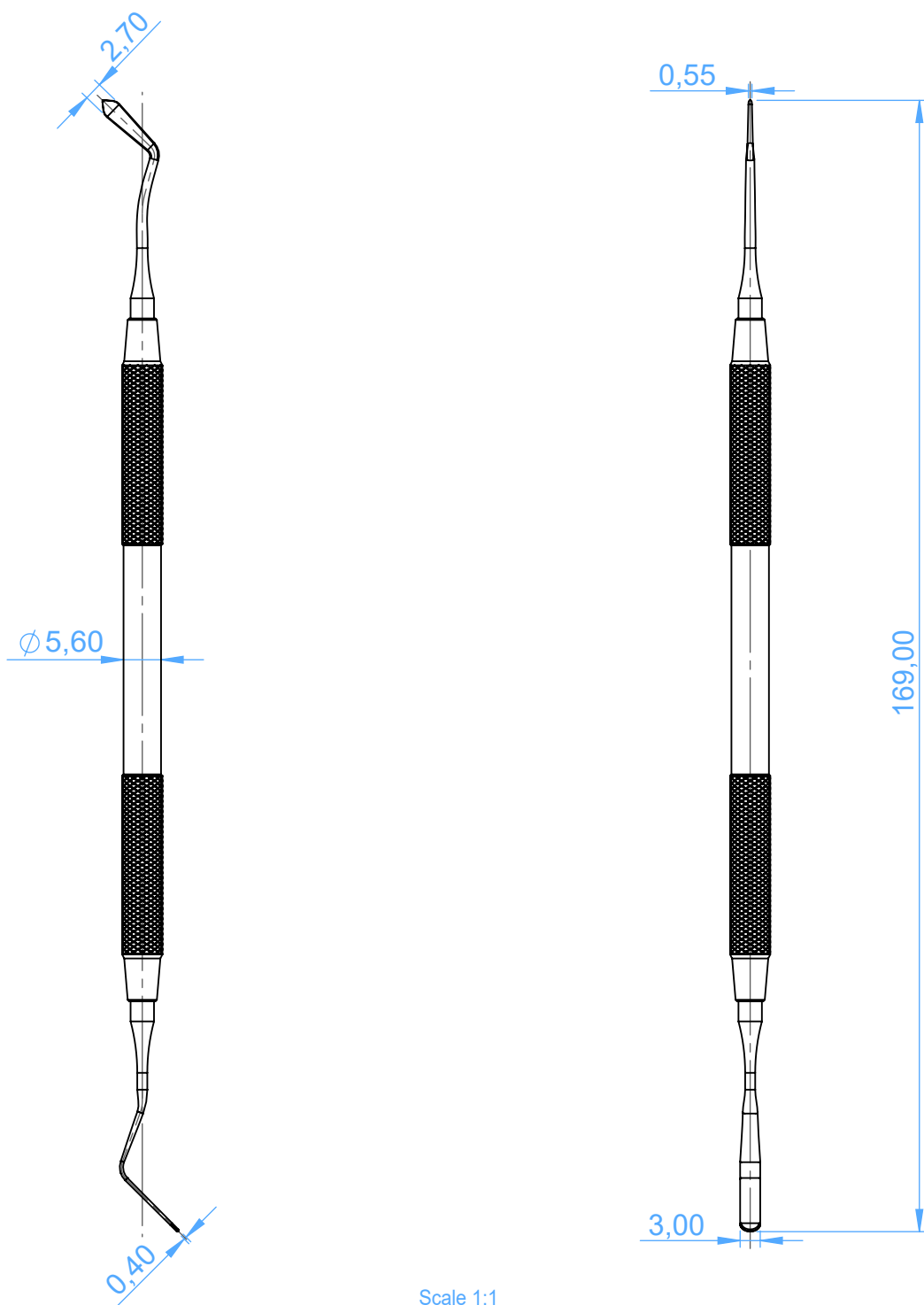


1217-11 Plastic filling instruments

11



Scale 1:1