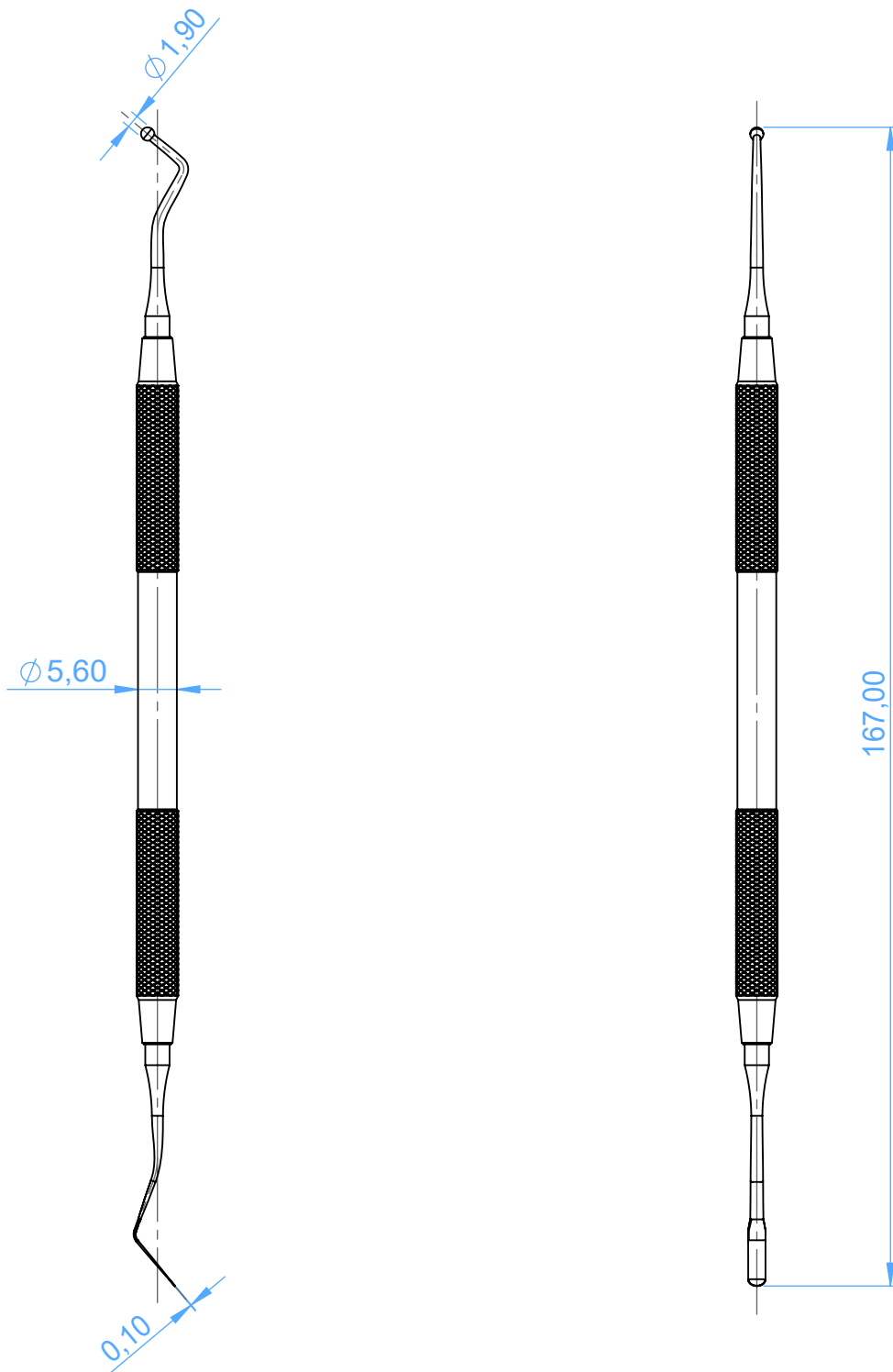


1209T-2 Plastic Filling Instruments
with titanium nitride coating

2



Scale 1:1