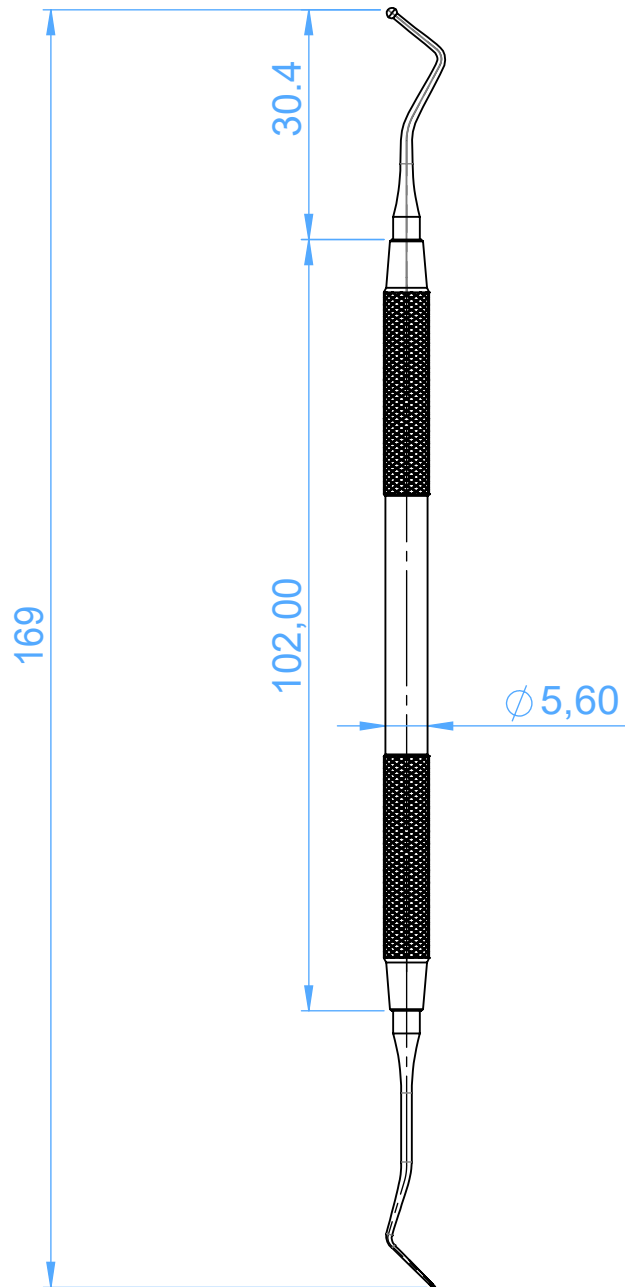


Plastic filling instruments  
1209-1

1



SCALA 1:1