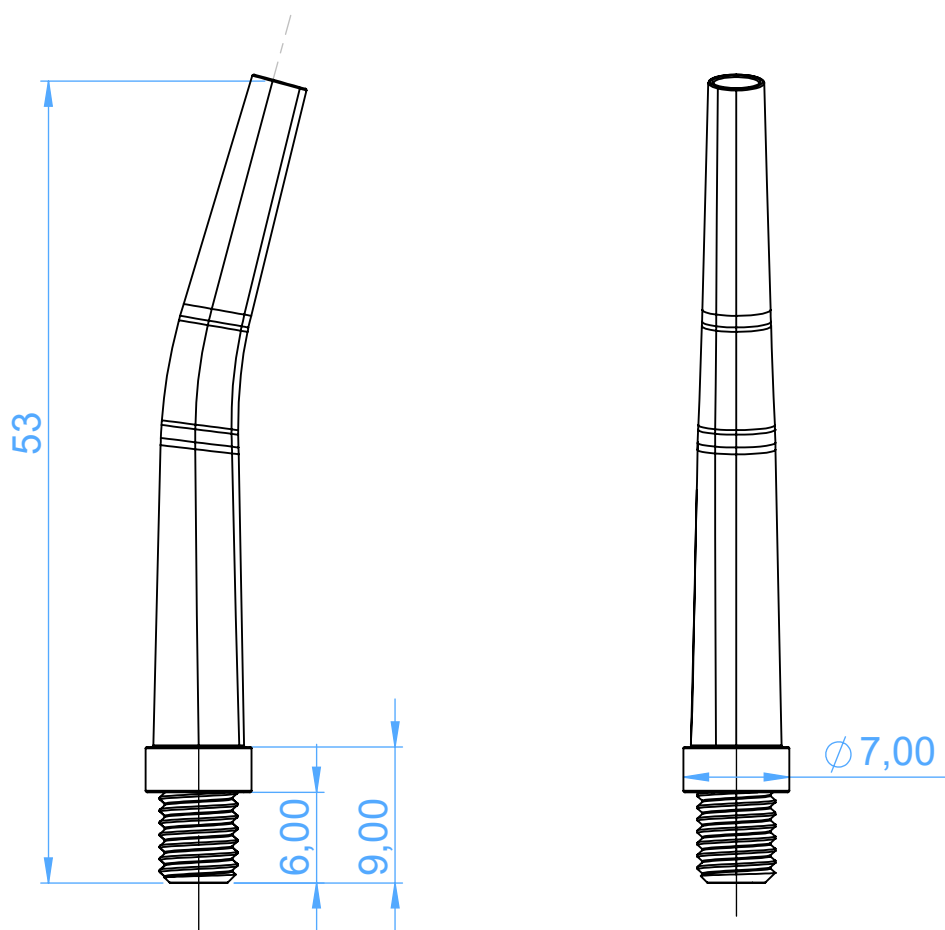


1021-1P

Straight



Scale 2:1