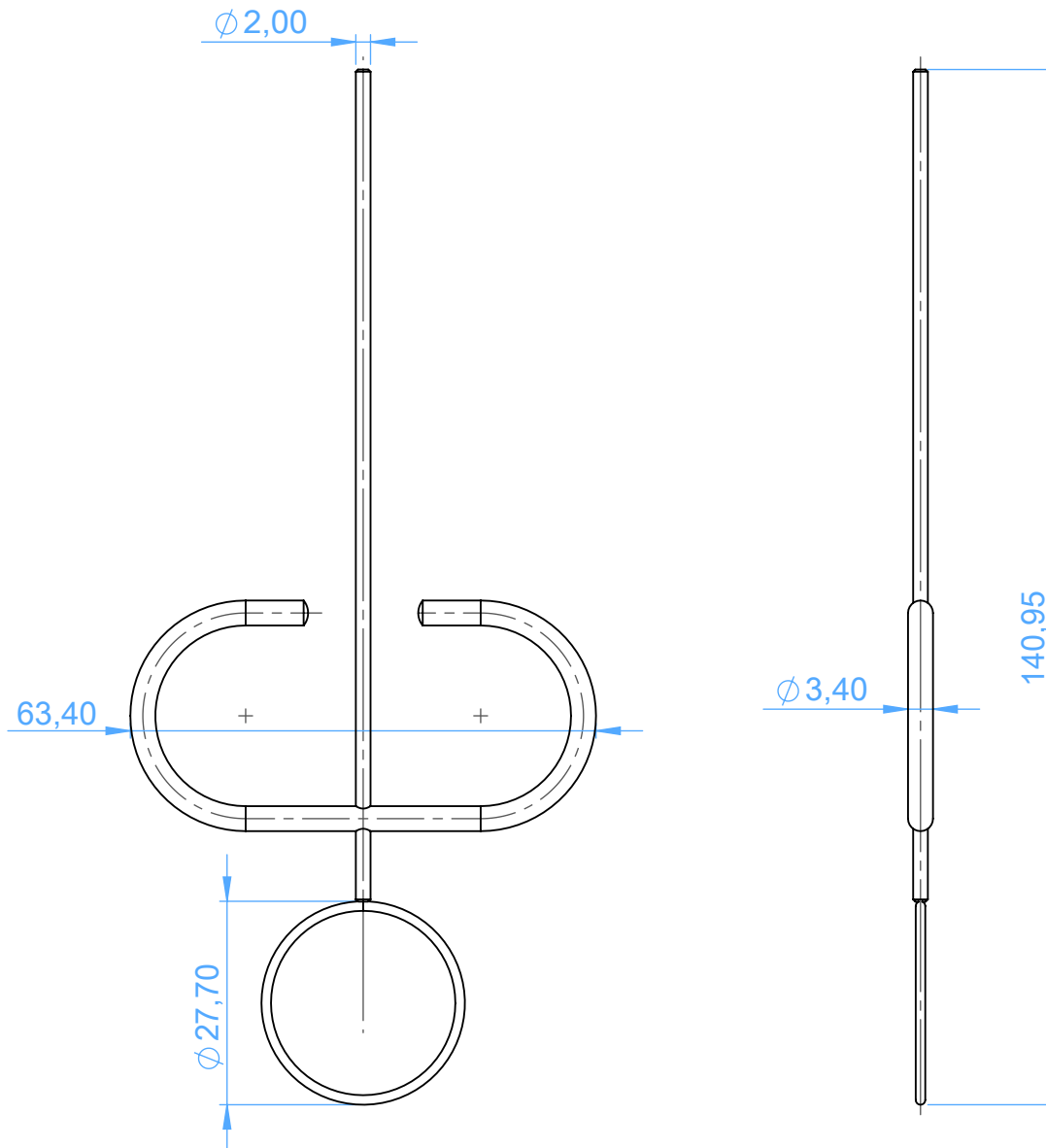


# 1009-1 - AMALGAM CARRIERS/SPINGI AMALGAMA

straight  
for retrograde fillings



SCALE 1:1