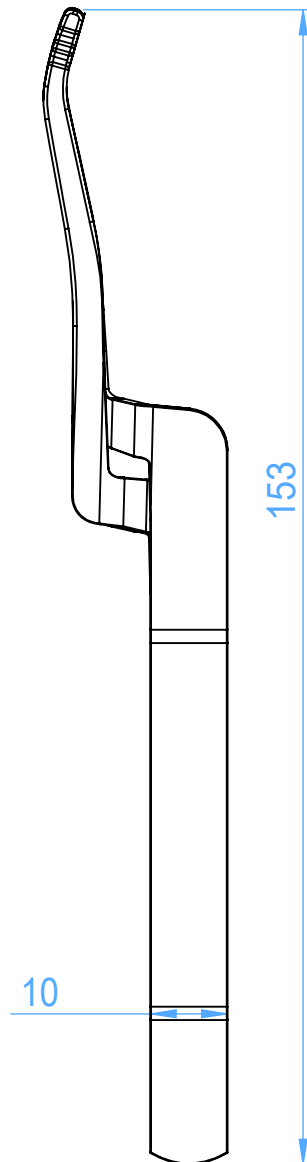


Implant holding tweezers
0661-2



Scale 1:1