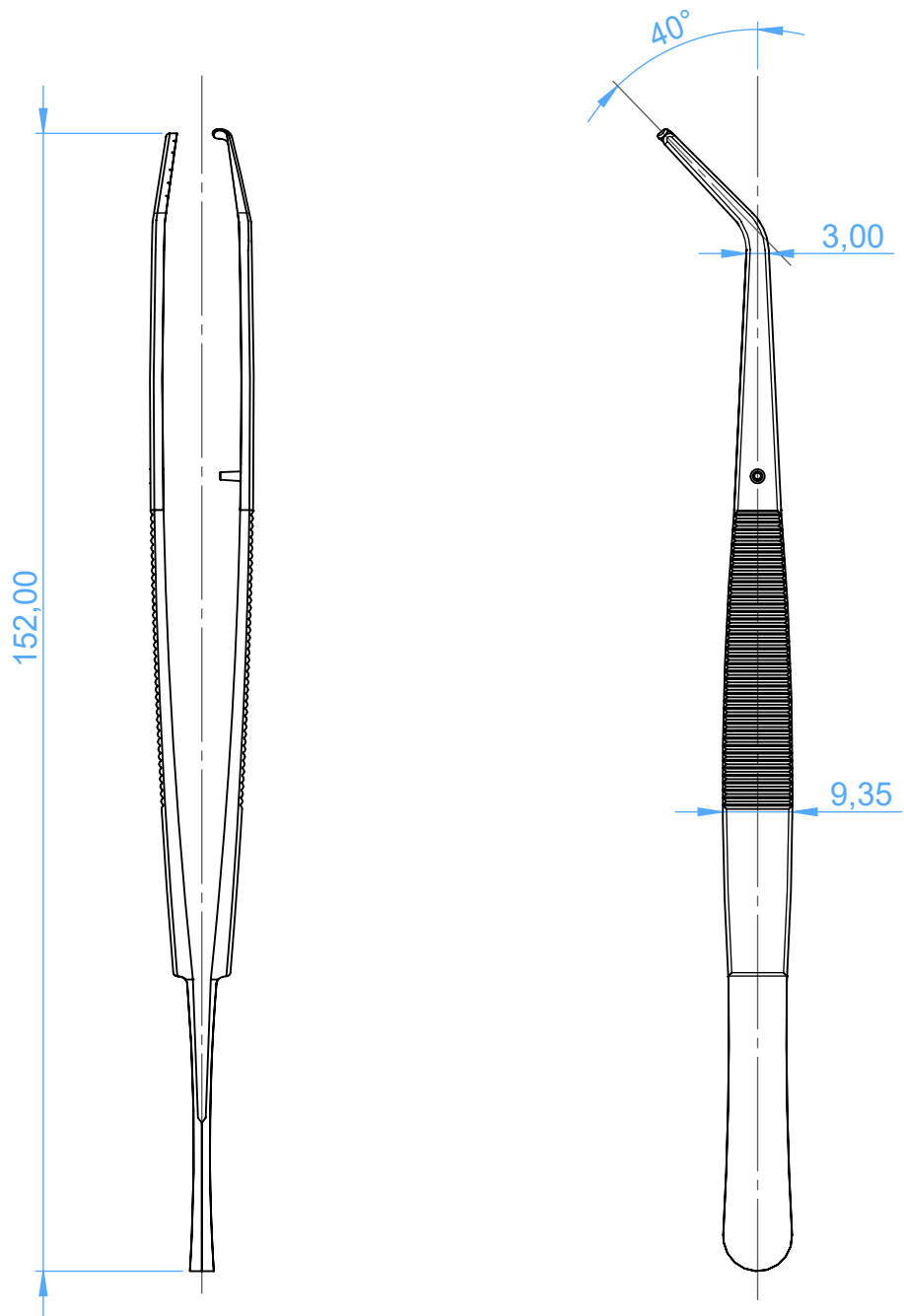


0650-2 Periodontal pocket markers

2(Creane-Kplan)
Goldman-Fox



Scale 1:1