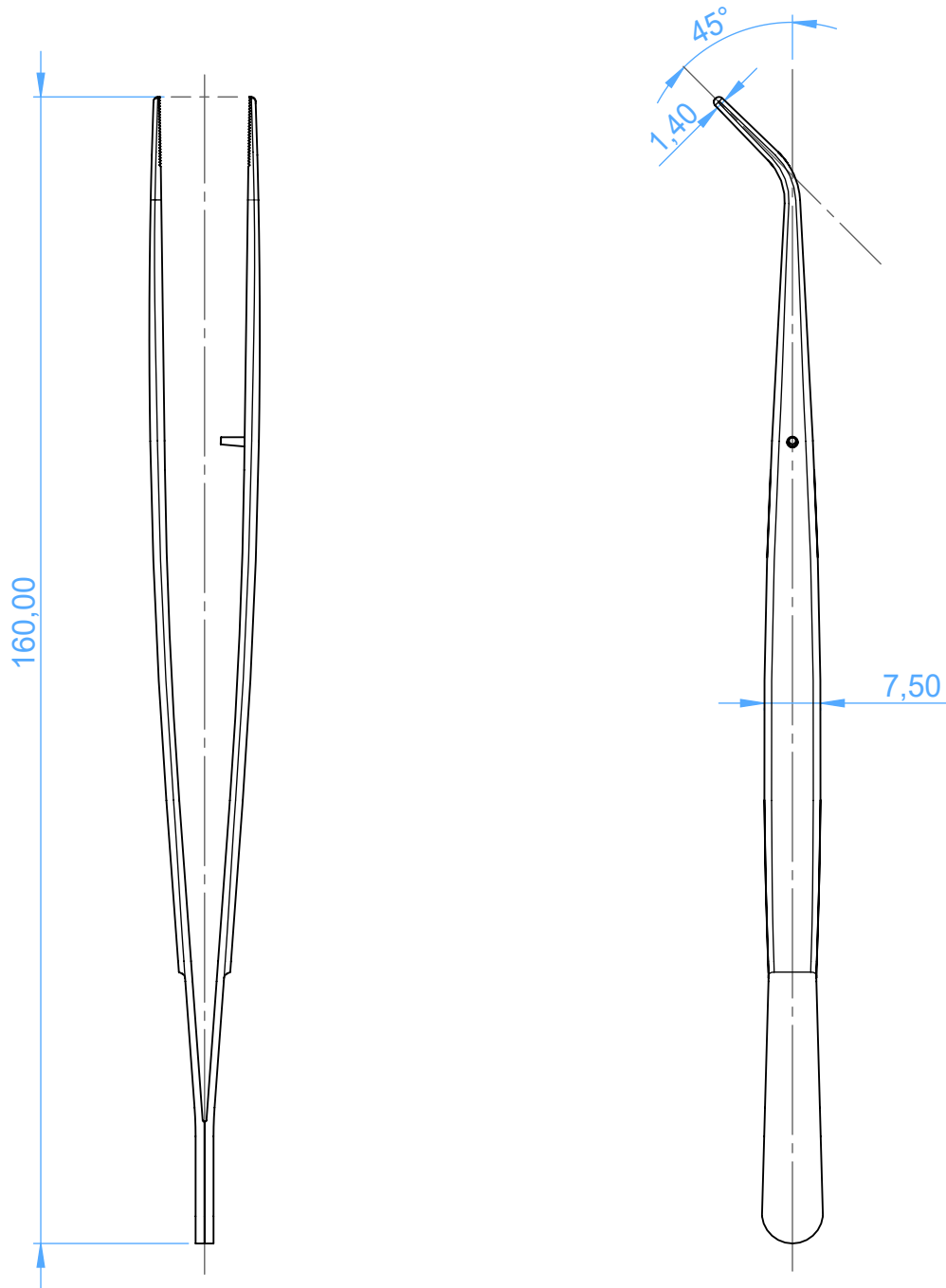


0600-2 Cotton and dressing pliers

2 London-College



Scale 1:1