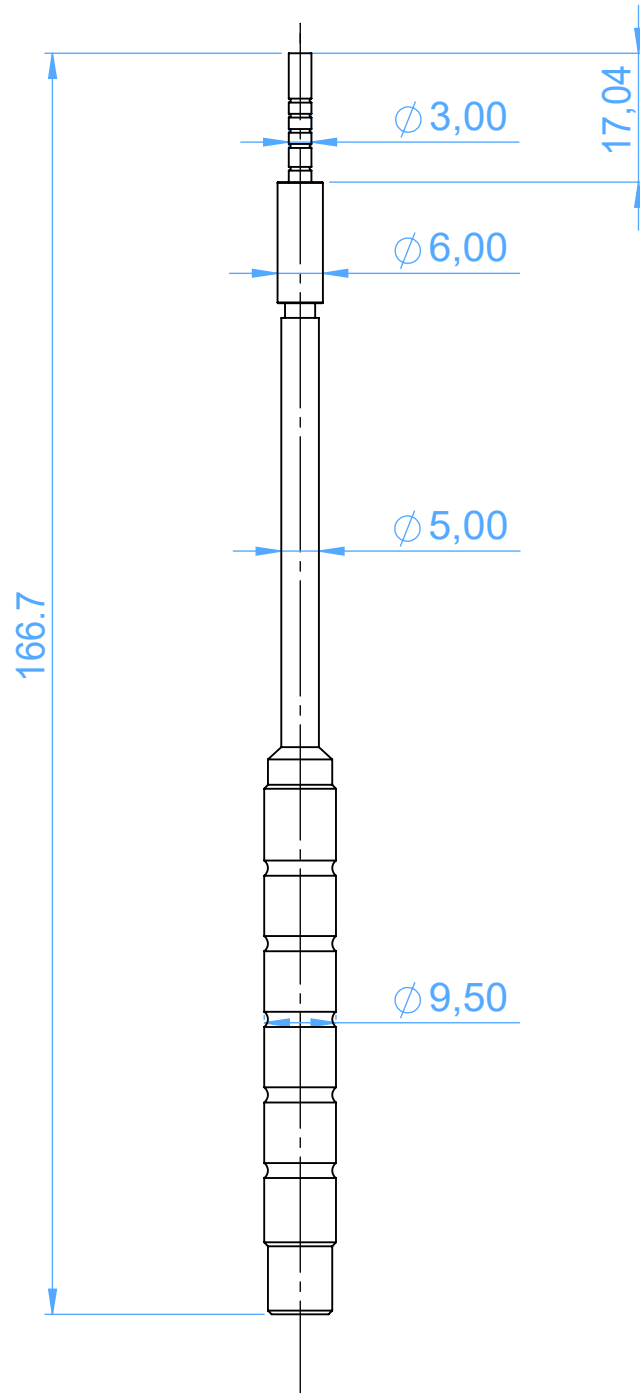


0498-2C3
Osteotomes



Scale 1:1