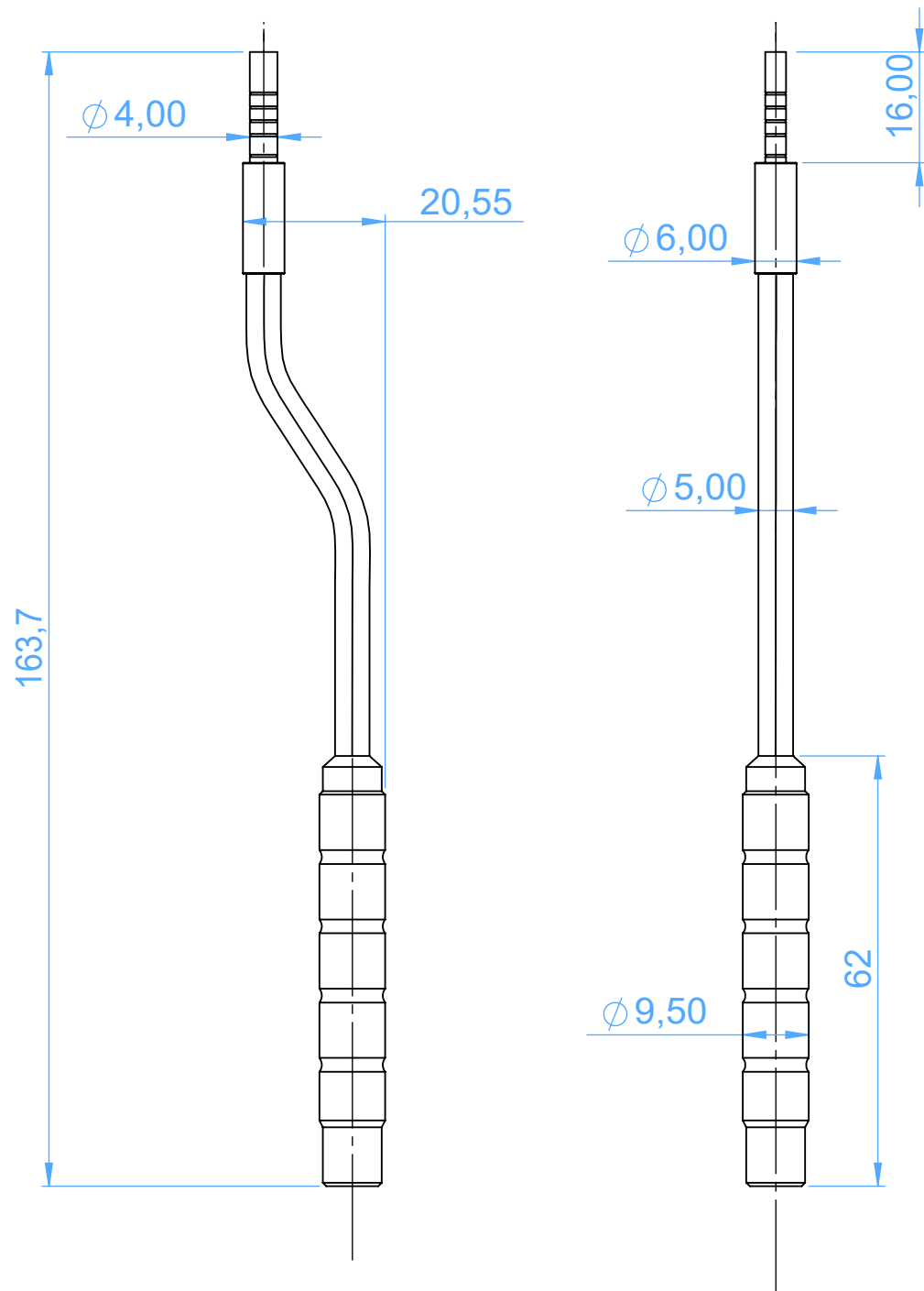


**0498-1B4**  
**Osteotomes**



Scale 1:1