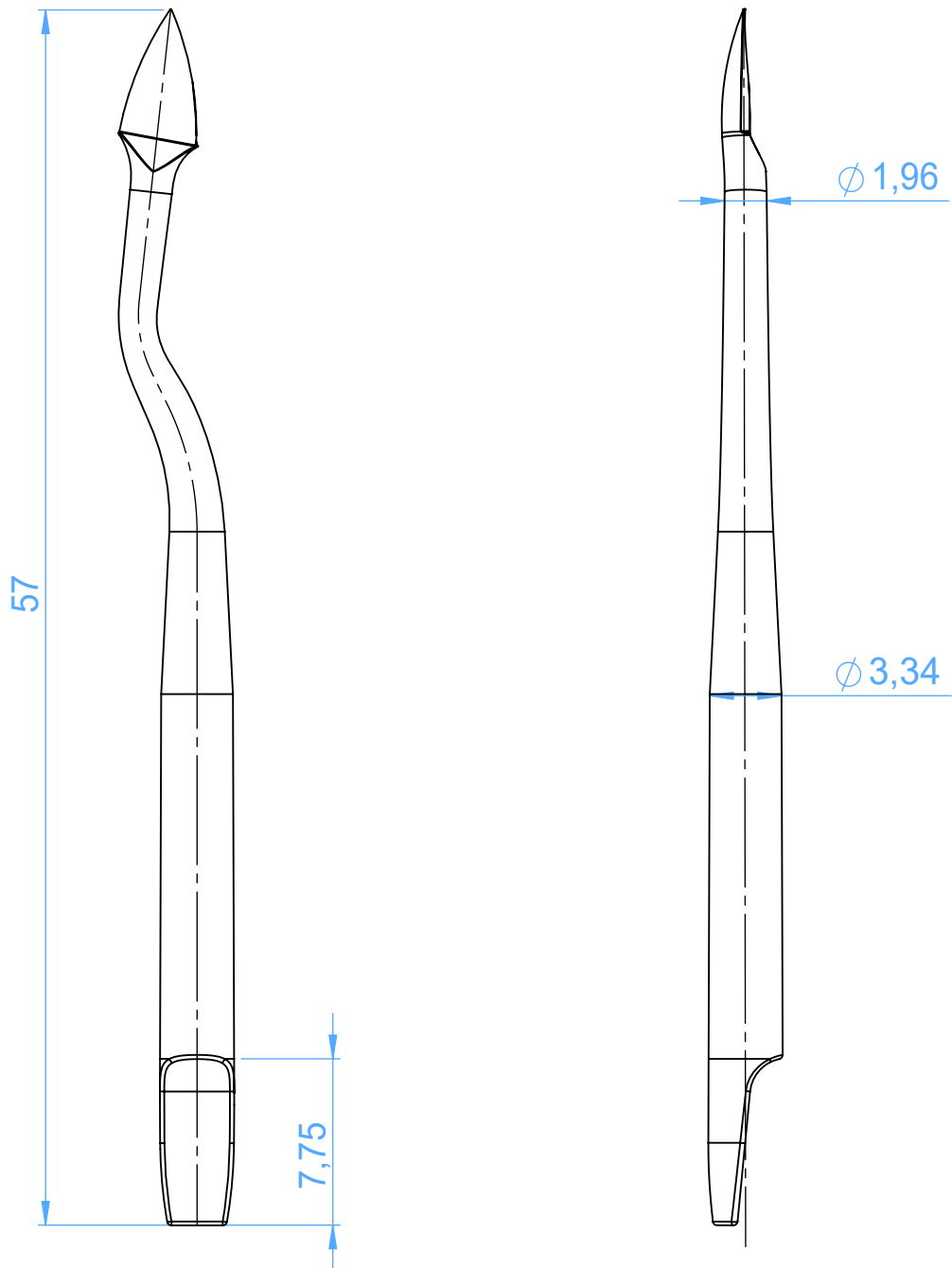


0296-24 Syndesmotomes



Scale 3:1