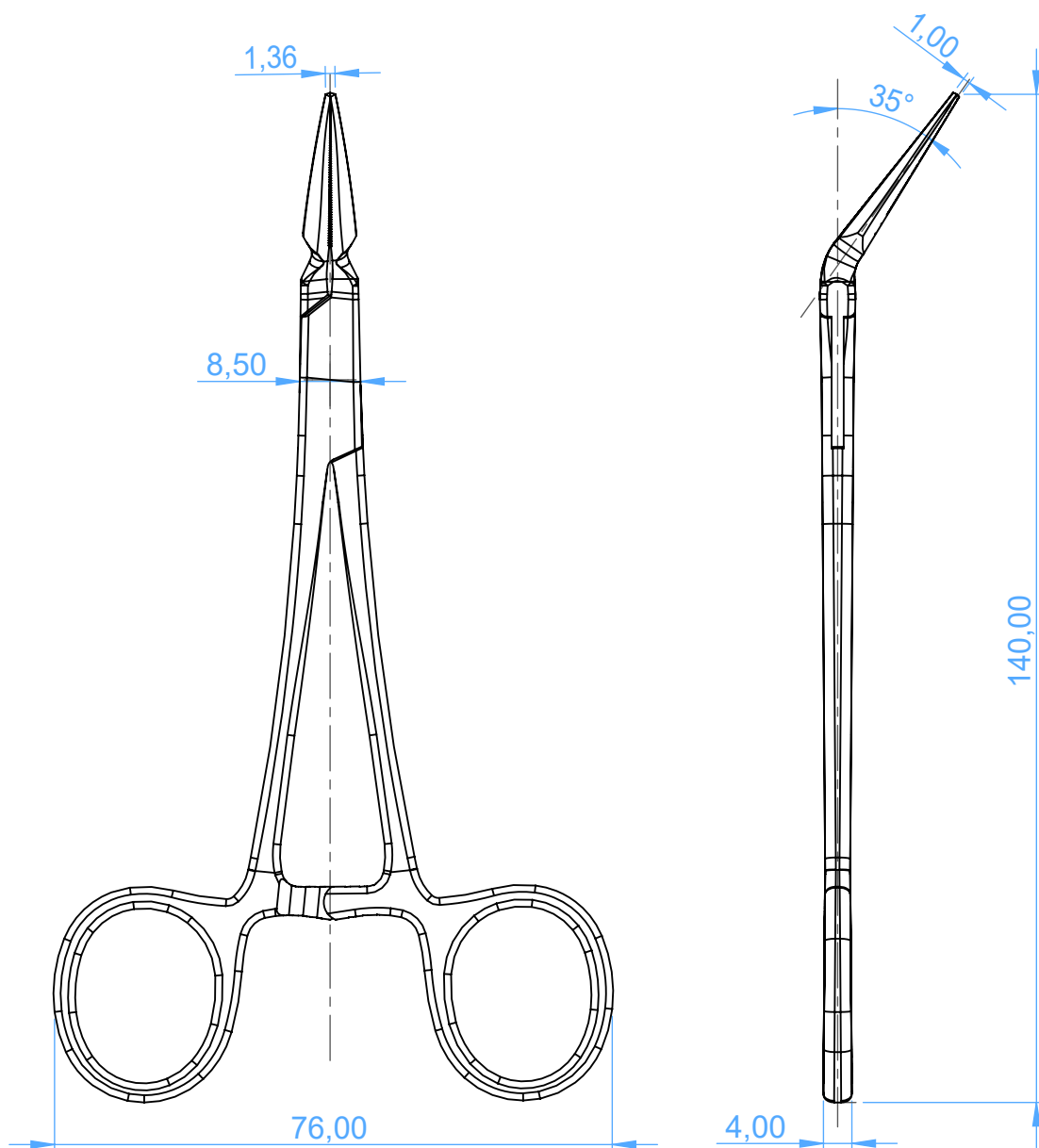


0102-2 - ENDODONTIC INSTRUMENTS / Strumenti endodontici

Forceps and pliers
for silver cones



SCALE 1:1